

Installation Instruction

The following must be noted

Electrical connection

The appliance is fitted with a plug and must only be connected to a properly installed earthed socket. Only a qualified electrician who takes the appropriate regulations into account may install the socket or replace the connecting cable. If the plug is no longer accessible following installation, an all-pole isolating switch must be present on the installation side with a contact gap of at least 3 mm. Contact protection must be ensured by the installation.

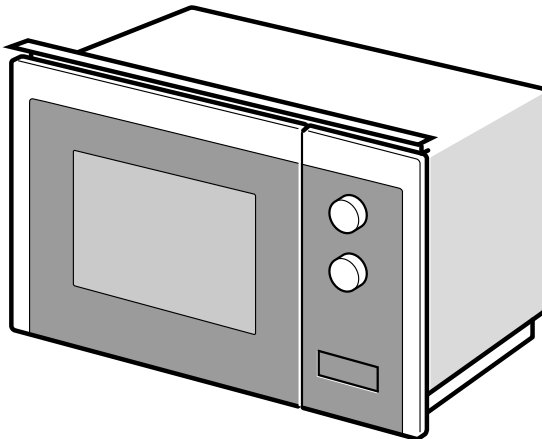
Fitted units

The installation cabinet must not have a back panel behind the appliance. Minimum installation height: 850 mm.

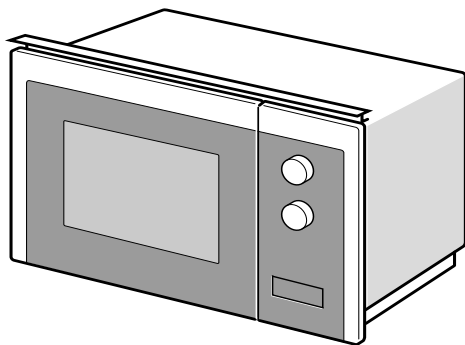
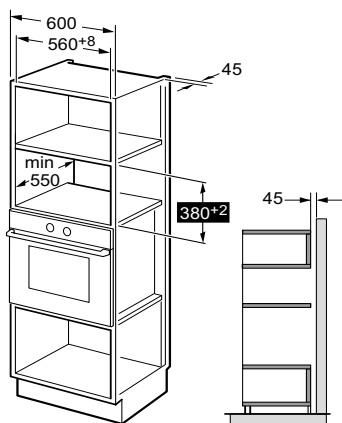
Ventilation slots and intakes must not be covered.

Installing the oven - Fig. 2

Note: Do not trap or kink the mains lead.



1



2

